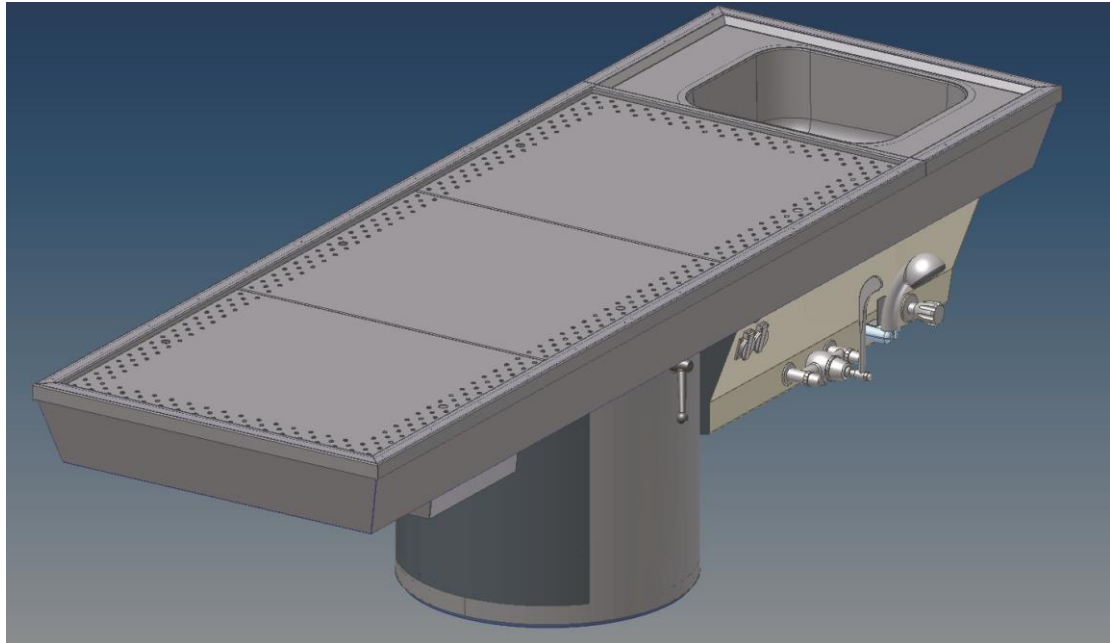


Autopsy Table STV 10/100 with Down-Draft-System – Height-Adjustable and Rotatable



The autopsy table is mounted on a center support column and can be rotated to the right and the left by approx. 180°; moreover, it is height-adjustable in the range from 750 to 1000 mm. The autopsy table is completely made of stainless steel (material no. 1.4301- ANSI 304). A 3-piece removable, perforated work surface makes sure that all harmful vapours are being vacuumed downwards. A seamlessly welded basin, 400 x 500 x 200 mm, with a surrounding profile border is installed to the end of the table. The table top is equipped with a waterproof sound-proofing. All power connections are built into the base and can be easily accessed by means of an inspection opening. An integrated sprinkler system guarantees that the table is continuously sanitized. All power connections, including the air duct, are built into the base. The table is to be connected to the side-mounted ventilation system, which has a minimum capacity of 1000 m³/h.

The Autopsy Table STV 10/100 model includes the following features:

- UP / DOWN button for height adjustment by means of an integrated electro mechanical drive
- High-speed clamping grip to fix the rotation
- Knee-operated mixing tap for cold and warm water
- 3 m shower hose with hand sprinkler
- 2 splash proof electrical outlets
- Electrical and water connections are preinstalled
- The safety requirements for drinking water as per DIN 1988 part 4 are to be provided by the customer

Technical data see back page

KUGEL medical GmbH & Co. KG
Hermann-Köhl-Str. 2A
DE - 93049 Regensburg/Germany

Phone +49/941/20 86 48-0
Fax +49/941/20 86 48-29
www.KUGEL-medical.de



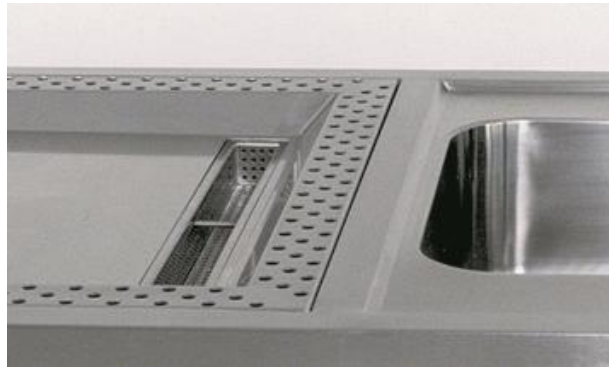
Autopsy Table STV 10/100 with Down-Draft-System – Height-Adjustable and Rotatable

Technical Data:

Dimensions W/D/H:	2600 x 850 x 750 to 1000 mm
Voltage:	230 Volt/1PH/50Hz
Carrying capacity:	300 kg
Type:	STV 10/100
Article-No.:	010.010.820

Alternatively available with a carrying capacity of 450 kg at an extra charge – Article No.: 010.010.858

The Autopsy Table STV 10/100 is also available with a three-piece perforated work surface with a negative inclination as well as a large, removable sieve.



Type:	PAF-3-G
Article-No.:	010.010.822

TekEquipment™

Ph: 1300 368 138

www.tekequipment.com.au

info@tekequipment.com.au

TekMed NZ™

Ph: 0800 456 217

info@tekmed.co.nz

www.tekmed.co.nz

KUGEL medical GmbH & Co. KG
Hermann-Köhl-Str. 2A
DE - 93049 Regensburg/Germany

Phone +49/941/20 86 48-0
Fax +49/941/20 86 48-29
www.KUGEL-medical.de



KUGEL
medical
■ ■ ■ ■