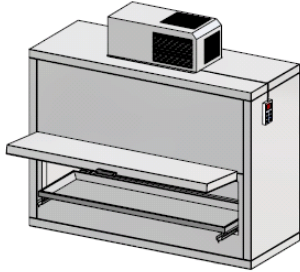
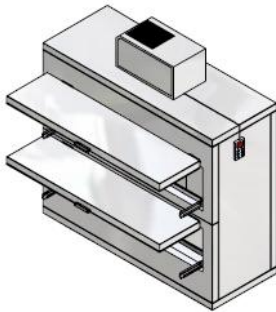


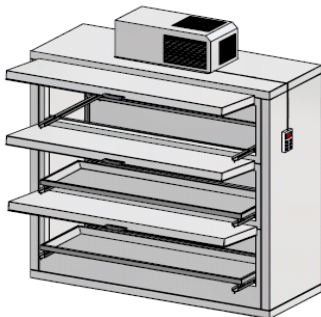
# Morgue refrigeration unit for sideway loading KZM Q 40/100 – KZM Q 40/300



Morgue refrigeration unit KZM Q 40/100  
To storage 1 body tray in sideway loading  
1 Door 2000 x 500 mm  
Made of 80 mm CFC -free polyurethane rigid  
Foam, coated outside steel  
Dimensions W/D/H: 2260 x 860 x 1660 mm  
Article No.: 040.070.020



Morgue refrigeration unit KZM Q 40/200  
To storage 2 body trays in sideway loading  
2 Doors 2000 x 500 mm  
Made of 80 mm CFC -free polyurethane rigid  
Foam, coated outside steel  
Dimensions W/D/H: 2260 x 860 x 1960 mm  
Article No.: 040.070.030



Morgue refrigeration unit KZM Q 40/300  
To storage 3 body trays in sideway loading  
3 Doors 2000 x 500 mm  
Made of 80 mm CFC -free polyurethane rigid  
Foam, coated outside steel  
Dimensions W/D/H: 2260 x 860 x 2260 mm  
Article No.: 040.070.040

**TekEquipment™**

Ph: 1300 368 138

[www.tekequipment.com.au](http://www.tekequipment.com.au)

[info@tekequipment.com.au](mailto:info@tekequipment.com.au)

**TekMed NZ™**

Ph: 0800 456 217

[info@tekmed.co.nz](mailto:info@tekmed.co.nz)

[www.tekmed.co.nz](http://www.tekmed.co.nz)

**KUGEL medical GmbH & Co. KG**  
Hermann-Köhl-Str. 2A  
DE - 93049 Regensburg / Germany

Phone +49/941/208648-0  
Fax +49/941/208648-29  
[www.KUGEL-medical.de](http://www.KUGEL-medical.de)



**KUGEL**  
medical  
■■■■