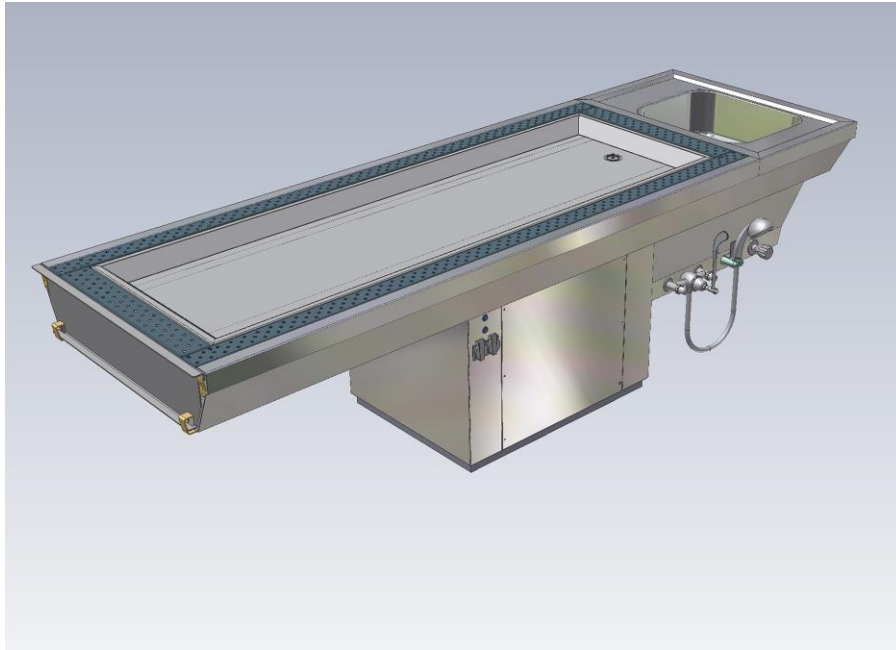


Autopsy Table STV 10/850-ROLL-IN With Integrated Down-Draft-System



The autopsy table is onto a central support column and height-adjustable from 770 to 1070 mm. The table is completely made of stainless steel (material no. 1.4301 – ANSI 304). Through a three-piece, removable, perforated work top, all unsanitary vapors are safely vacuumed downwards. At the small side of the table you can slide in a body tray and close automatically with a cover. A bath with drainage channel is located under the perforated work surface. A seamlessly welded basin, 400 x 500 x 200 mm, with a surrounding profile border, an overflow pipe and a sieve insert is installed to the end of the table. All power connections, including the air duct, are built into the center support column and can be easily accessed at any time by means of an inspection opening. The table is to be connected to a ventilation system provided by the customer.

The Autopsy Table STV 10/850-ROLL-IN model includes the following features:

- Center support column with 2 inspection openings
- UP / DOWN button for height adjustment by means of an integrated electro mechanical drive
- Knee-operated mixing tap for cold and warm water
- 3 m shower hose with hand sprinkler
- 2 splash proof electrical outlets
- Regulator valve for integrated sprinkler system
- 3-piece work top with large waste basin/sieve insert
- The safety requirements for drinking water as per DIN 1988 part 4 are to be provided by the customer
- Delivery without Body tray LM 80/100-AL

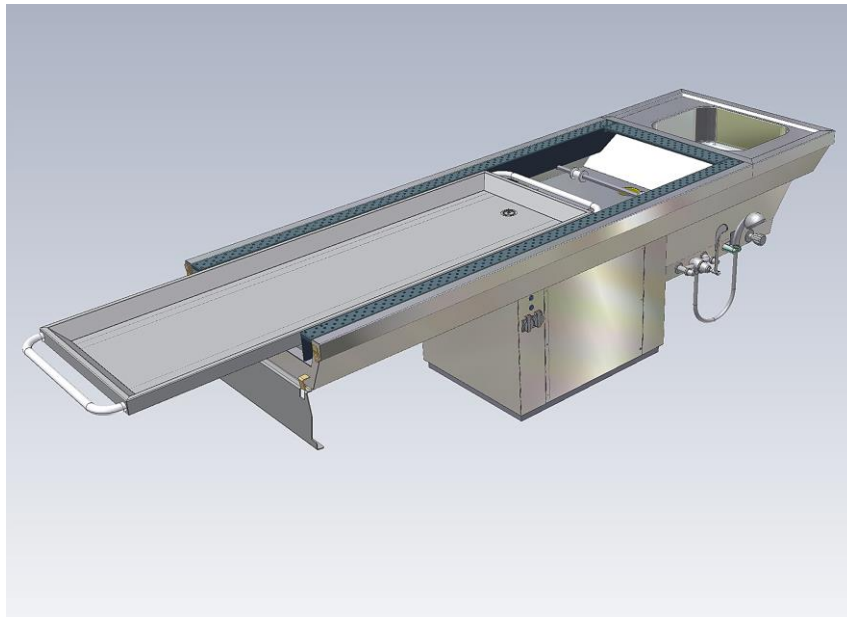
Technical data see back page

KUGEL medical GmbH & Co. KG
Hermann-Köhl-Str. 2A
DE - 93049 Regensburg/Germany

Phone +49/941/20 86 48-0
Fax +49/941/20 86 48-29
www.KUGEL-medical.de



Autopsy Table STV 10/850-ROLL-IN With Integrated Down-Draft-System



Autopsy Table STV 10/850-ROLL-IN integrated down-draft system and Body Tray LM 80/100-ABL

Technical Data:

| | |
|--------------------|--|
| Dimensions W/D/H: | 2656 x 850 x 770 / 1070 mm |
| Voltage: | 230 Volt / 1 Ph / 50 Hz |
| Capacity: | min. 1000 m ³ /h |
| Carrying capacity: | 300 kg |
| Material: | Brushed stainless steel (Material No. 1.4301 – ANSI 304) |
| Type: | STV 10/850-ROLL-IN |
| Article No.: | 010.010.870 |

Alternatively available with a carrying capacity of 450 kg at an extra charge – Article No.: 010.010.858

TekEquipment™

Ph: 1300 368 138

www.tekequipment.com.au

info@tekequipment.com.au

TekMed NZ™

Ph: 0800 456 217

info@tekmed.co.nz

www.tekmed.co.nz

KUGEL medical GmbH & Co. KG
Hermann-Köhl-Str. 2A
DE - 93049 Regensburg/Germany

Phone +49/941/20 86 48-0
Fax +49/941/20 86 48-29
www.KUGEL-medical.de



KUGEL
medical