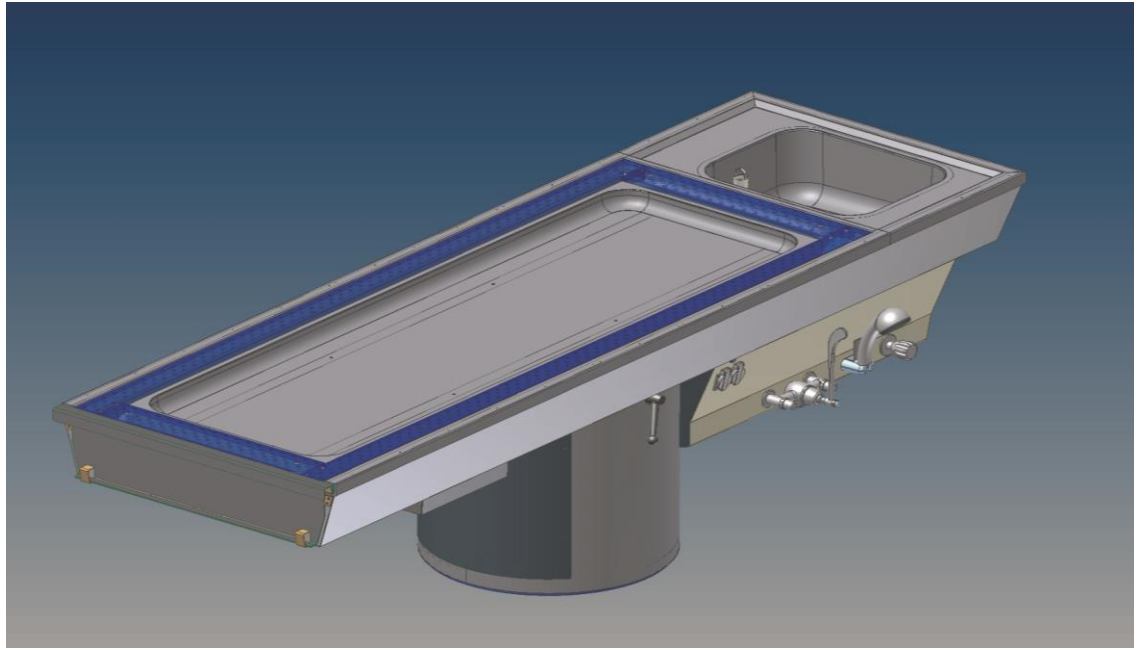


Autopsy Table STV 10/100-ROLL-IN with Down-Draft-System – Height-Adjustable and Rotatable



The autopsy table is mounted on a center support column and can be rotated to the right and the left by approx. 180°; moreover, it is height-adjustable in the range from 770 to 1070 mm. The autopsy table is completely made of stainless steel (material no. 1.4301- ANSI 304). A circumferential perforation at the work surface makes sure that all harmful vapours are being vacuumed downwards. At the small side of the table you can slide in a body tray, the table closes automatically with a cover. The work surface is equipped with a high surrounding border, as well as a negative inclination to the waste sieve (detachable). A seamlessly welded basin with a surrounding profile border is installed to the end of the table. A bath with a negative inclination to the drainage channel is located under the perforated work surface. An integrated sprinkler system guarantees that the table is continuously sanitized. All power connections, including the air duct, are built into the base. The table is to be connected to the side-mounted ventilation system, which has a minimum capacity of 1000 m³/h.

The Autopsy Table STV 10/100 model includes the following features:

- UP / DOWN button for height adjustment by means of an integrated electro mechanical drive
- High-speed clamping grip to fix the rotation
- Knee-operated mixing tap for cold and warm water
- 3 m shower hose with hand sprinkler
- 2 splash proof electrical outlets
- Electrical and water connections are preinstalled
- The safety requirements for drinking water as per DIN 1988 part 4 are to be provided by the customer
- Delivery without Body tray LM 80/100-AL

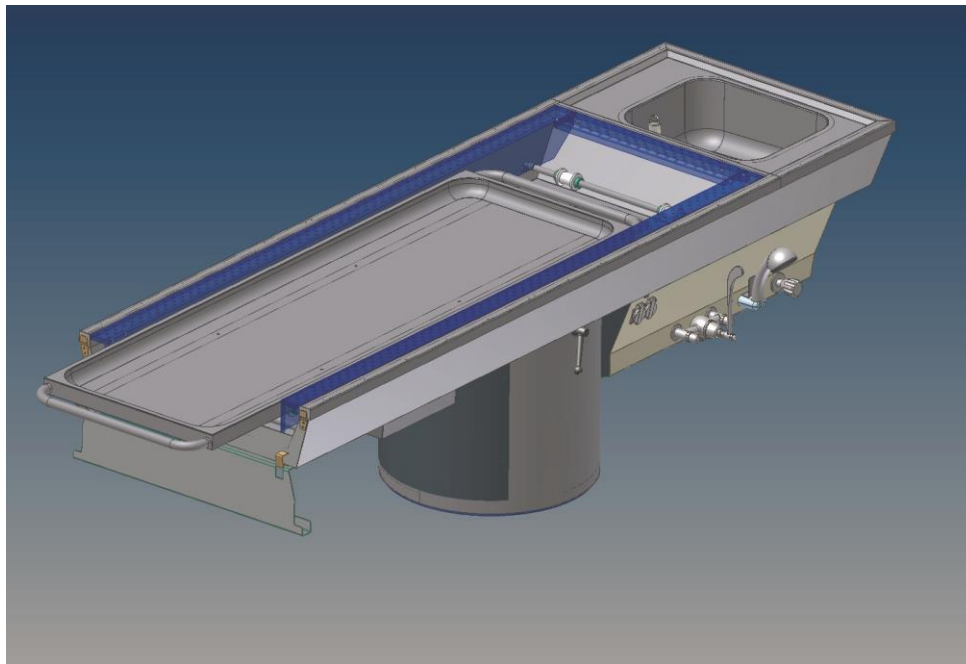
Technical data see back page

KUGEL medical GmbH & Co. KG
Hermann-Köhl-Str. 2A
DE - 93049 Regensburg/Germany

Phone +49/941/20 86 48-0
Fax +49/941/20 86 48-29
www.KUGEL-medical.de



Autopsy Table STV 10/100 –ROLL-IN with Down-Draft-System – Height-Adjustable and Rotatable



Technical Data:

Dimensions W/D/H:	2656 x 850 x 770 to 1070 mm
Voltage:	230 Volt/1PH/50Hz
Carrying capacity:	300 kg
Type:	STV 10/100
Article-No.:	010.010.880

Alternatively available with a carrying capacity of 450 kg at an extra charge – Article No.: 010.010.858

TekEquipment™

Ph: 1300 368 138

www.tekequipment.com.au

info@tekequipment.com.au

TekMed NZ™

Ph: 0800 456 217

info@tekmed.co.nz

www.tekmed.co.nz

KUGEL medical GmbH & Co. KG
Hermann-Köhl-Str. 2A
DE - 93049 Regensburg/Germany

Phone +49/941/20 86 48-0
Fax +49/941/20 86 48-29
www.KUGEL-medical.de



KUGEL
medical
■ ■ ■ ■